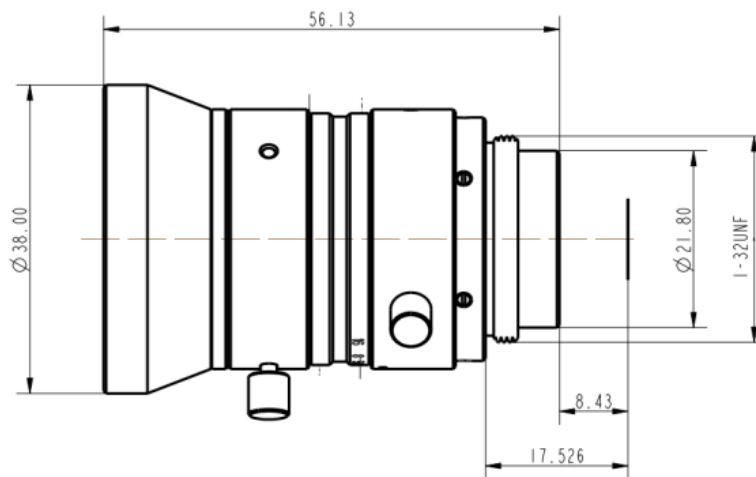


## HN-P-0824-10M-C2/3



### Outline Drawing



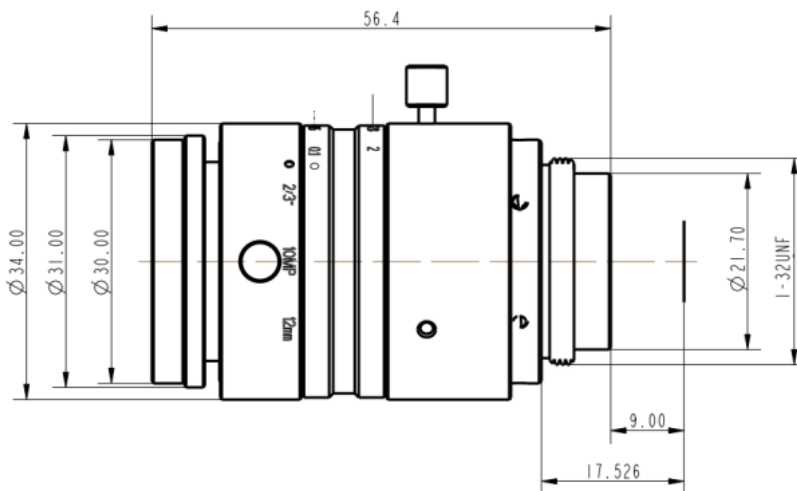
### Specifications

Model	HN-P-0824-10M-C2/3
Sensor Size	2/3"
Pixel size (μm)	3.45 & 2.4
Focal Length (mm)	8±5%
Total Track Length (mm)	62.0±0.2
Flange distance (mm)	17.526±0.2
F/No.	F2.4-F16
Angle of View (H×V)	57.5° × 44.9° ( 68.3° )
TV Distortion (%)	±0.73
Focus Range	0.1m-∞
Filter Thread	M37×P0.5-7H
Mount	C-mount
Dimensions (mm)	Φ38.0 × 47.0 (w/o thread)

## HN-P-1220-10M-C2/3



### Outline Drawing



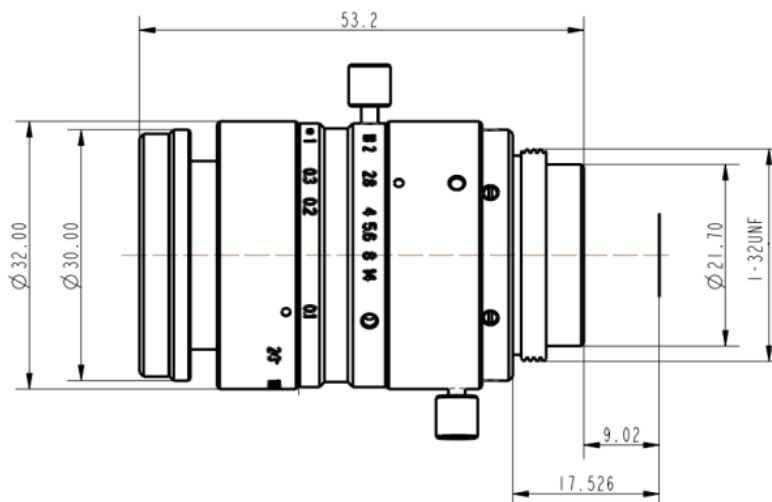
### Specifications

Model	HN-P-1220-10M-C2/3
Sensor Size	2/3"
Pixel size (μm)	3.45 & 2.4
Focal Length (mm)	12±5%
Total Track Length (mm)	60±0.2
Flange distance (mm)	17.526±0.2
F/No.	F2-F16
Angle of View (H×V)	39.3° × 30° ( 48° )
TV Distortion (%)	±0.19
Focus Range	0.1m-∞
Filter Thread	M28×P0.5-7H
Mount	C-mount
Dimensions (mm)	Φ34.0 × 47.9 (w/o thread)

## HN-P-1618-10M-C2/3



### Outline Drawing



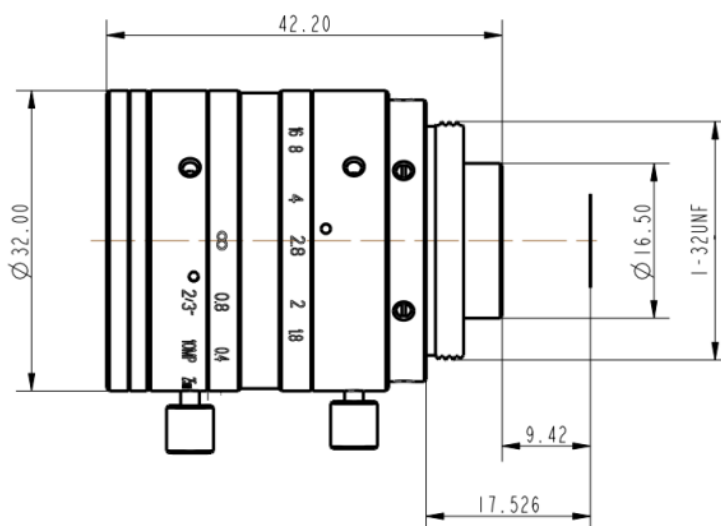
### Specifications

Model	HN-P-1618-10M-C2/3
Sensor Size	2/3"
Pixel size (μm)	3.45 & 2.4
Focal Length (mm)	16±5%
Total Track Length (mm)	58.9±0.2
Flange distance (mm)	17.526±0.2
F/No.	F1.8-F14
Angle of View (H×V)	29.8° × 22.6° ( 36.8° )
TV Distortion (%)	±0.13
Focus Range	0.1m-∞
Filter Thread	M27×P0.5-7H
Mount	C-mount
Dimensions (mm)	Φ32.0 × 44.7 (w/o thread)

## HN-P-2518-10M-C2/3



### Outline Drawing



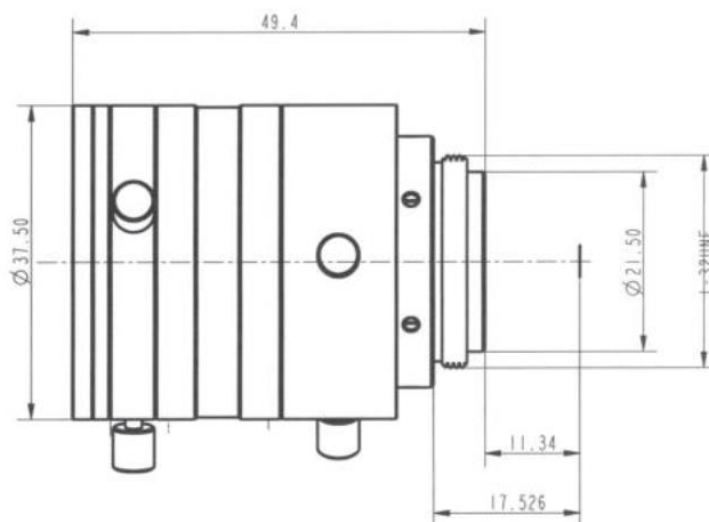
### Specifications

Model	HN-P-2518-10M-C2/3
Sensor Size	2/3"
Pixel size (μm)	3.45 & 2.4
Focal Length (mm)	25±5%
Total Track Length (mm)	43.4±0.2
Flange distance (mm)	17.526±0.2
F/No.	F1.8-F16
Angle of View (H×V )	18.3° × 13.8° ( 22.8° )
TV Distortion (%)	±0.05
Focus Range	0.15m-∞
Filter Thread	M27×P0.5-7H
Mount	C-mount
Dimensions (mm)	Φ32.0 × 34.1 (w/o thread)

## HN-P-3520-10M-C2/3



### Outline Drawing



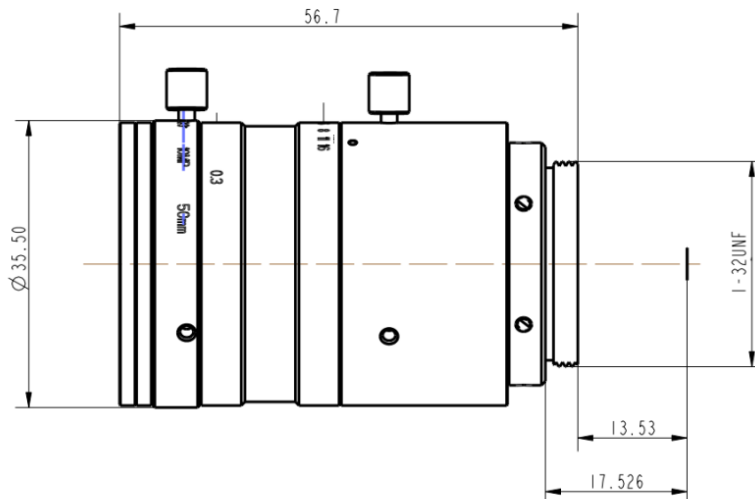
### Specifications

Model	HN-P-3520-10M-C2/3
Sensor Size	2/3"
Pixel size (μm)	3.45 & 2.4
Focal Length (mm)	35±5%
Total Track Length (mm)	56±0.2
Flange distance (mm)	17.526±0.2
F/No.	F2-F16
Angle of View (H×V)	12.9° × 9.7° ( 16° )
TV Distortion (%)	±0.04
Focus Range	0.2m-∞
Filter Thread	M30.5×P0.5-7H
Mount	C-mount
Dimensions (mm)	Φ37.5 × 43.2 (w/o thread)

## HN-P-5028-10M-C2/3



### Outline Drawing



### Specifications

Model	HN-P-5028-10M-C2/3
Sensor Size	2/3"
Pixel size (μm)	3.45 & 2.4
Focal Length (mm)	50±5%
Total Track Length (mm)	67±0.2
Flange distance (mm)	17.526±0.2
F/No.	F2.8-F16
Angle of View (H×V)	8.7° × 6.5° ( 10.8° )
TV Distortion (%)	±0.01
Focus Range	0.3m-∞
Filter Thread	M30.5×P0.5-7H
Mount	C-mount
Dimensions (mm)	Φ35.5 × 52.7 (w/o thread)