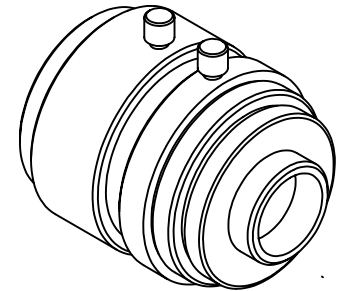
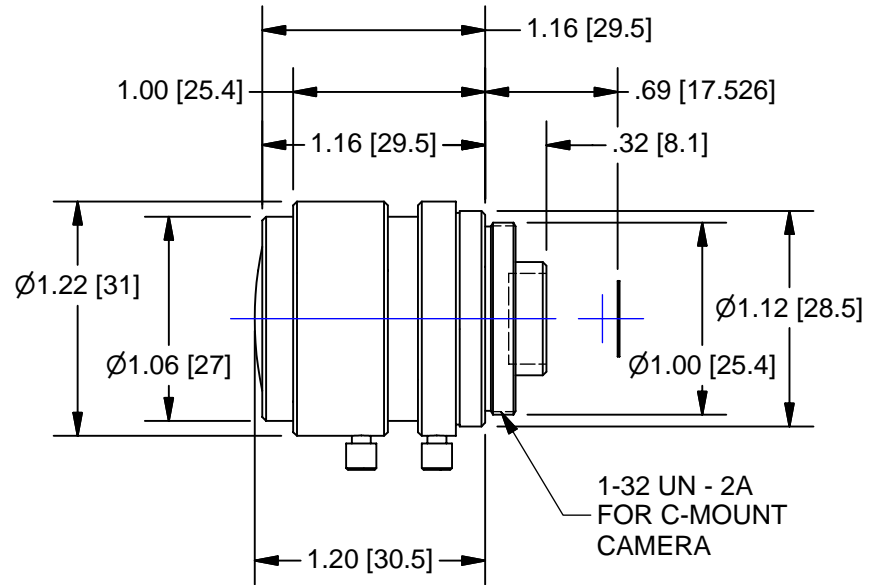
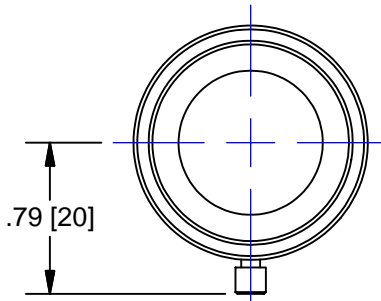


LENS SPECIFICATIONS - NMV6WA		
Specification	Value	1/3"
Focal length	f=6.0 mm+/-5%	
Max. Diameter (Ratio)	F=1:1.4+/-5%	
Element	6 Group 7 Elements	
Picture Size	4.8 x 6.4mm	3.6 x 4.8
Angle - Horizontal	44.0	33.7
Vertical	57.3	44.2
Diagonal	69.4	54.4
Distortion (TV)	-1.0%	
Shooting Range @ M.O.D. - Horizontal	128 mm	
Verical	174 mm	
Diagonal	221 mm	
Minimum Object Distance	0.2m	
Flange Back	17.526 mm in air	
Back Focus	9.46mm in air	
Filter Screw Size	M25.5 x 0.5	
Effective Diameter - Front -	16.2 mm dia.	
Rear -	8.7 mm dia.	
Mount	C - Mount	
Exit Pupil	-77.3 mm	
Temperature Range	-10 ~ +45 deg. C	
Strong Temperature Range	-40 ~ +60 deg. C	
Resolution - Center -	100 Line/mm	
Cornter	40 Line/mm	
Stopper Strength	10 kgf * cm	
Endurance Tests - Iris -	5000 Times	
Focus -	5000 Times	
Operating Torque - Iris -	50 ~ 600 gf * cm	
Focus -	100 ~ 1000 gf * cm	
Weight -	60g+/-5g	



## OUTLINE

UNLESS OTHERWISE SPECIFIED DIMENSIONS ARE IN INCHES AND INCLUDE CHEMICALLY APPLIED OR PLATED FINISHES
SCALE: 1:1
WEIGHT: See Table
DR: BE
CH:
PROJECT #: E2338
DATE DR: 7/10/2007

THE CONTENTS OF THIS DOCUMENT ARE PROPRIETARY TO NAVITAR. ITS USE IS AUTHORIZED ONLY FOR RESPONDING TO REQUEST FOR QUOTATION OR PERFORMANCE OF WORK FOR NAVITAR
0.0 inch 1.0
0.0 mm 25.0
DO NOT SCALE DRAWING

LENS, 6.0mm FL, WD. ANG., 1/2", f/1.4	
SIZE <b>A</b>	<b>NMV -6WA</b> SHEET 1 OF 1
REV <b>A</b>	