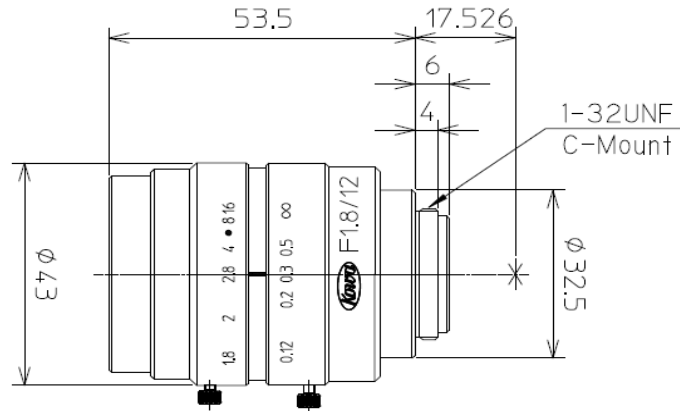




LM12JC5M



Model	LM12JC5M	
Focal Length (mm)	12.5	
Image Size (mm)	2/3" ($\phi 11$)	
Iris Range (F-Stop)	F1.8~16	
Iris Control	Manual	
Focus Control	Manual	
Focus Range (mm)	100~ ∞	
Back Focal Length (mm)	11.5	
Flange Focal Length (mm)	17.526	
Angle of View	Dia.	47
View in Degrees (2/3")	Hor.	38.4
	Ver.	29.2
Field of View at 100mm (2/3")	Dia.	101.9
	Hor.	81.4
	Ver.	60.9
Clear Aperture (mm)	Front	$\phi 24.5$
	Rear	$\phi 16.6$
Resolution (Center,Corner)	160lp/mm, 160lp/mm	
Distortion (TV)	-0.06% (2/3") -0.12% (1/2") -0.09% (1/3")	
Exit Pupil Position (mm)	118.6	
Mount	C-Mount	
Filter Size (mm)	M34XP0.5	
Weight (g)	165	